

TSTLP[®] SMT-ESE60

EARLY STREAMER EMISSION AIR TERMINAL (ESE)

Start Future From Safety

Characteristics(Delta T)

Efficiency	ΔT	60μs
Standard deviation ESE / Single Rod	σ	$\sigma_{ESE} < 0.4 \sigma_{PTS}$
Lightning current withstanding test	I_{imp}	100kA (normative test)
Max. current withstanding (10/350 μ s)	I_{max}	$\geq 200kA$
Approx Net Weight	P	4.0 kg

SMT-ESE60



Operating principles

Detection of download leader	Continuous measuring of electric field gradient ($\Delta E/\Delta t$)
Upward streamer development conditions	TSTLP [®] -Smart Technology optimizing the streamer development conditions
Upward streamer emission	Sparking by High Voltage Impulses
Internal circuits	6 Independent working unit
Central rod	Full electrical continuity
Metal housing	Superior Stainless Steel
On-site testing capabilities	Proprietary TSTLP [®] E.S.E. tester
Maintenance	Free (thanks to TSTLP advanced technology & superior material)
Warranty	6+ YEARS

Operating principles

Mechanical Specification

Fixing on pole	M20 Thread
Down conductor connection	Specific clamp (Included)

Packing

Dimensions	230*230*450 mm box/pc, 4pc in 480*500*500mm carton
Contents	TSTLP [®] E.S.E. Head, Nut, Hex key, ESE-Pole Clamp
Approx GrossWeight	5.6 kg
Environmental sustainability	100% recyclable

Certifications

Patent Right	Available
--------------	-----------

SUCCESSFULLY tested at accredited labs in **Shanghai, Spain & Romania - Europe**, and Cover Pages of our official Test Reports are marked with **CE, CMA & CAL, Romania-RENAR, Spanish ENAC & ilac-MRA**, among all these marks, **ilac-MRA** is the most important recognition for international acceptance.

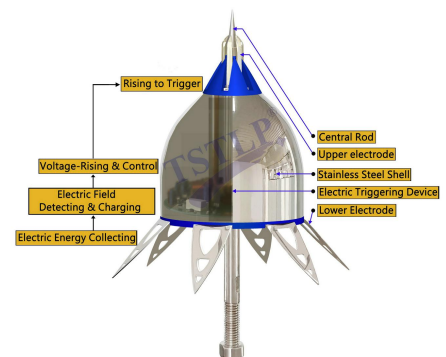
NF C 17-102:2011 Annexe C
 UNE 21.186:2011 Paragraph C
 UNE-EN 62561
 IEC 60060-1:2010 Part 1
 IEC 60068-2-52:2017
 IEC 60068-2-78:2012
 EN / IEC 62305
 EN 60060-1:2010
 SR EN ISO 6988:1977
 GB/T T16927.1-2011 Part 1

Test / Reference Standards

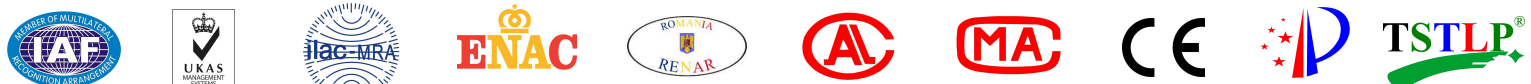
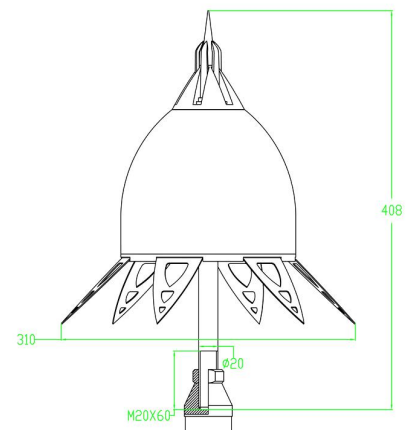
CE Marking	EN 60060-1:2010
------------	-----------------

Download Professional Detailed Catalog @

<https://drive.google.com/file/d/1kEW-pWdJdlArVgfrHutq62k9HsVnCHq/-view?usp=sharing>



Dimensions(mm)



TS Lightning Protection Co.,Ltd

www.ese-lightningrod.com & www.tslpro.com

Non-contractual document, TSTLP[®] reserves all rights to make changes in technical data, configuration, dimensions, weights & materials.